

**APOLLO SUPPLIED-AIR RESPIRATOR
Helmet Model 20
High Pressure 65 psi to 100 psi
O. M. 21990**

**MC FILE NUMBER: 1192-0196
DATE OF ISSUE: April, 1996
REVISION: J, 01/11**

 WARNING

Do not proceed with these instructions until you have READ the orange cover of this MANUAL and YOU UNDERSTAND its contents. *

These WARNINGS are included for the health and safety of the operator and those in the immediate vicinity.

***If you are using a Clemco Distributor Maintenance and Part Guide, refer to the orange warnings insert preceding the Index before continuing with the enclosed instructions.**

Electronic files include a Preface containing the same important information as the orange cover.

NOTICE

This supplied air respirator conforms to all NIOSH specifications and standards and carries NIOSH approval. As manufactured, this respirator complies only with those foreign approvals that accept NIOSH certification. Specifically, it has not been manufactured to European CEE standards and does not carry the European CEE mark.

© 2011 CLEMCO INDUSTRIES CORP.
ONE CABLE CAR DR.
WASHINGTON, MO 63090
Phone (636) 239-4300
Fax (800) 726-7559
Email: info@clemcoindustries.com
www.clemcoindustries.com



⚠ WARNING

- Read and follow ALL instructions before using this equipment.
- Failure to comply with ALL instructions can result in serious injury or death.
- In the event that the user, or any assistants of the user of this equipment cannot read or cannot completely understand the warnings and information contained in these instructions, the employer of the user and his assistants must thoroughly educate and train them on the proper operation and safety procedures of this equipment.

NOTICE TO PURCHASERS AND USERS OF OUR PRODUCTS AND THIS INFORMATIONAL MATERIAL

The products described in this material, and the information relating to those products, is intended for knowledgeable, experienced users of abrasive blasting equipment.

No representation is intended or made as to the suitability of the products described herein for any particular purpose or application. No representations are intended or made as to the efficiency, production rate, or the useful life of the products described herein. Any estimate regarding production rates or production finishes are the responsibility of the user and must be derived solely from the user's experience and expertise, and must not be based on information in this material.

The products described in this material may be combined by the user in a variety of ways for purposes determined solely by the user. No representations are intended or made as to the suitability or engineering balance of the combination of products determined by the user in his selection, nor as to the compliance with regulations or standard practice of such combinations of components or products.

Abrasive Blast Equipment is only a component of the range of equipment used in an abrasive blasting job. Other products may include an air compressor, abrasive, scaffolding, hydraulic work platforms or booms, paint spray equipment, dehumidification equipment, air filters and receivers, lights, ventilation equipment, parts handling equipment, specialized respirators, or equipment that while offered by Clemco may have been supplied by others. Each manufacturer and supplier of the other products used in the abrasive blasting job must be contacted for information, training, instruction and warnings with regard to the proper and safe use of their equipment in the particular application for which the equipment is being used. The information provided by Clemco is intended to provide instruction only on Clemco products. All operators must be trained in the proper, safe, use of this equipment. It is the responsibility of the users to familiarize themselves with, and comply with, all appropriate laws, regulations, and safe practices that apply to the use of these products. Consult with your employer about training programs and materials that are available.

Our company is proud to provide a variety of products to the abrasive blasting industry, and we have confidence that the professionals in our industry will utilize their knowledge and expertise in the safe efficient use of these products.

GENERAL INSTRUCTIONS

Described herein are some, BUT NOT ALL, of the major requirements for safe and productive use of blast machines, remote control systems, operator respirator assemblies, and related accessories. Completely read ALL instruction manuals prior to using equipment.

The user's work environment may include certain HAZARDS related to the abrasive blasting operation. Proper protection for the blaster, as well as anyone else that may be EXPOSED to the hazards generated by the blasting process, is the responsibility of the user and/or the employer. Operators MUST consult with their employer about what hazards may be present in the work environment including, but not limited to, exposure to dust that may contain TOXIC MATERIALS due to the presence of silica, cyanide, arsenic or other toxins in the abrasive, or materials present in the surface to be blasted such as lead or heavy metals in coatings. The environment may also include fumes that may be present from adjacent coatings application, contaminated water, engine exhaust, chemicals, and asbestos. The work area may include PHYSICAL HAZARDS such as an uneven work surface, poor visibility, excess noise, and electrical hazards. The operator MUST consult with his employer on the identification of potential hazards, and the appropriate measures that MUST be taken to protect the blaster and others that might be exposed to these hazards.

ALL machines, components and accessories MUST be installed, tested, operated and maintained only by trained, knowledgeable, experienced users.

DO NOT modify or substitute any Clemco parts with other types or brands of equipment. Unauthorized modification and parts substitution on supplied air respirators is a violation of OSHA regulations and voids the NIOSH approval.

OPERATIONAL INSTRUCTIONS

OPERATOR SAFETY EQUIPMENT

⚠ WARNING

- Blast operators and others working in the vicinity of abrasive blasting must always wear properly-maintained, NIOSH-approved, respiratory protection appropriate for the job site hazards.
- DO NOT USE abrasives containing more than one percent crystalline (free) silica. Ref. NIOSH Alert #92-102
- Inhalation of toxic dust (crystalline silica, asbestos, lead paint and other toxins) can lead to serious or fatal disease (silicosis, asbestosis, lead or other poisoning).

- ALWAYS wear NIOSH-approved supplied-air respirators as required by OSHA, in the presence of any dust including, but not limited to, handling or loading abrasive; blasting or working in the vicinity of blast jobs; and cleanup of expended abrasive. Prior to removing respirator, an air monitoring

PREFACE

instrument should be used to determine when surrounding atmosphere is clear of dust and safe to breathe.

- NIOSH-approved, supplied-air respirators are to be worn ONLY in atmospheres:
 - NOT IMMEDIATELY dangerous to life or health and,
 - from which a user can escape WITHOUT using the respirator.
- Clemco supplied-air respirators **DO NOT REMOVE OR PROTECT AGAINST CARBON MONOXIDE (CO) OR ANY OTHER TOXIC GAS**. Carbon monoxide and toxic gas removal and/or monitoring device must be used in conjunction with respirator to insure safe breathing air.
- Air supplied to respirator **MUST BE AT LEAST GRADE D QUALITY** as described in Compressed Gas Association Commodity Specification G-7.1, and as specified by OSHA Regulation 1910.139 (d).
- ALWAYS locate compressors to prevent contaminated air (such as CO from engine exhaust) from entering the air intake system. A suitable in-line air purifying sorbent bed and filter or CO Monitor should be installed to assure breathing air quality.
- ALWAYS use a NIOSH-approved breathing air hose to connect an appropriate air filter to the respirator. Use of a non-approved air hose can subject the operator to illness caused by the release of chemical agents used in the manufacture of non-approved breathing air hose.
- ALWAYS check to make sure air filter and respirator system hoses are NOT CONNECTED to in-plant lines that contain nitrogen, acetylene or any other non-breathable gas. NEVER use oxygen with air line respirators. NEVER modify air line connections to accommodate air filter/respirator breathing hose WITHOUT FIRST testing content of the air line. **FAILURE TO TEST THE AIR LINE MAY RESULT IN DEATH TO THE RESPIRATOR USER.**
- Respirator lenses are designed to protect against rebounding abrasive. They do not protect against flying objects, glare, liquids, radiation or high speed heavy materials. Substitute lenses from sources other than the original respirator manufacturer will void NIOSH-approval of this respirator.

BLAST MACHINES AND REMOTE CONTROLS

WARNING

- **ALWAYS** equip abrasive blast machines with remote controls.
- **Abrasive blast machine operators must wear NIOSH-approved supplied-air respirators (ref: OSHA regulations 1910.94, 1910.132, 1910.139 and 1910.244).**

- NEVER modify OR substitute remote control parts. Parts from different manufacturers are NOT compatible with Clemco

equipment. If controls are altered, involuntary activation, which may cause serious injury, can occur.

- Inspect the air control orifice DAILY for cleanliness. NEVER use welding hose in place of twinline control hose. The internal diameter and rubber composition are UNSAFE for remote control use.
- UNLESS OTHERWISE SPECIFIED, maximum working pressure of blast machines and related components MUST NOT exceed National Board approved 125 psig (8.5 BAR).
- NEVER weld on blast machine. Welding may affect dimensional integrity of steel wall and WILL VOID National Board approval.
- Point nozzle ONLY at structure being blasted. High velocity abrasive particles WILL inflict serious injury. Keep unprotected workers OUT of blast area.
- NEVER attempt to manually move blast machine when it contains abrasive. EMPTY machines, up to 6 cu. ft.(270kg) capacity, are designed to be moved:
 - on flat, smooth surfaces by AT LEAST two people;
 - with the Clemco "Mule"; or
 - with other specially designed machine moving devices.
- Larger empty blast machines or ANY blast machine containing abrasive MUST be transported by mechanical lifting equipment.

AIR HOSE, BLAST HOSE, COUPLINGS, AND NOZZLE HOLDERS

- Air hose, air hose fittings and connectors at compressors and blast machines MUST be FOUR times the size of the nozzle orifice. Air hose lengths MUST be kept as short as possible AND in a straight line. Inspect DAILY and repair leakage IMMEDIATELY.
- Blast hose inside diameter MUST be THREE to FOUR times the size of the nozzle orifice. AVOID sharp bends that wear out hose rapidly. Use SHORTEST hose lengths possible to reduce pressure loss. Check blast hose DAILY for soft spots. Repair or replace IMMEDIATELY.
- ALWAYS cut loose hose ends square when installing hose couplings and nozzle holders to allow uniform fit of hose to coupling shoulder. NEVER install couplings or nozzle holders that DO NOT provide a TIGHT fit on hose. ALWAYS use manufacturers recommended coupling screws.
- Replace coupling gaskets FREQUENTLY to prevent leakage. Abrasive leakage can result in dangerous coupling failure. ALL gaskets MUST be checked SEVERAL times during a working day for wear, distortion and softness.
- Install safety pins at EVERY coupling connection to prevent accidental disengagement during hose movement.
- ALWAYS attach safety cables at ALL air hose AND blast hose coupling connections. Cables relieve tension on hose and control whipping action in the event of a coupling blow-out.

MAINTENANCE

- ALWAYS shut off compressor and depressurize blast machine BEFORE doing ANY maintenance.
- Always check and clean ALL filters, screens and alarm systems when doing any maintenance.
- ALWAYS cage springs BEFORE disassembling valves IF spring-loaded abrasive control valves are used.
- ALWAYS completely follow owner's manual instructions and maintain equipment at RECOMMENDED intervals.

ADDITIONAL ASSISTANCE

- Training and Educational Programs. Clemco Industries Corp. offers a booklet, Blast-Off 2, developed to educate personnel on abrasive blast equipment function and surface preparation techniques. Readers will learn safe and productive use of machines, components and various accessories, including selection of abrasive materials for specific surface profiles and degrees of cleanliness.
- The Society for Protective Coatings (SSPC) offers a video training series on protective coatings including one entitled "Surface Preparation." For loan or purchase information, contact SSPC at the address shown below.

TECHNICAL DATA AND RESEARCH COMMITTEES

- The following associations offer information, materials and videos relating to abrasive blasting and safe operating practices.

The Society for Protective Coatings (SSPC)

40 24th Street, Pittsburgh PA 15222-4643
 Phone: (412) 281-2331 • FAX (412) 281-9992
 Email: research@sspc.org • Website: www.sspc.org

National Association of Corrosion Engineers (NACE)

1440 South Creek Drive, Houston TX 77084
 Phone: (281) 228-6200 • FAX (281) 228-6300
 Email: msd@mail.nace.org • Website: www.nace.org

American Society for Testing and Materials (ASTM)

100 Barr Harbor Dr., West Conshohocken, PA 19428
 Phone (610) 832-9500 • FAX (610) 832-9555
 Email: service@astm.org • Website: www.astm.org

NOTICE

This equipment is not intended to be used in an area that might be considered a hazardous location as described in the National Electric Code NFPA 70 1996, article 500.

WARRANTY

The following is in lieu of all warranties express, implied or statutory and in no event shall seller or its agents, successors, nominees or assignees, or either, be liable for special or consequential damage arising out of a breach of warranty. This warranty does not apply to any damage or defect resulting from negligent or improper assembly or use of any item by the buyer or its agent or from alteration or attempted repair by any person other than an authorized agent of seller. All used, repaired, modified or altered items are purchased "as is" and with all faults. In no event shall seller be liable for consequential or incidental damages. The sole and exclusive remedy of buyer for breach of warranty by seller shall be repair or replacement of defective parts or, at seller's option, refund

of the purchase price, as set forth below:

1. Seller makes no warranty with respect to products used other than in accordance hereunder.
2. On products seller manufactures, seller warrants that all products are to be free from defects in workmanship and materials for a period of one year from date of shipment to buyer, but no warranty is made that the products are fit for a particular purpose.
3. On products which seller buys and resells pursuant to this order, seller warrants that the products shall carry the then standard warranties of the manufacturers thereof, a copy of which shall be made available to customer upon request.
4. The use of any sample or model in connection with this order is for illustrative purposes only and is not to be construed as a warranty that the product will conform to the sample or model.
5. Seller makes no warranty that the products are delivered free of the rightful claim of any third party by way of patent infringement or the like.
6. This warranty is conditioned upon seller's receipt within ten (10) days after a buyer's discovery of a defect, of a written notice stating in what specific material respects the product failed to meet this warranty. If such notice is timely given, seller will, at its option, either modify the product or part to correct the defect, replace the product or part with complying products or parts, or refund the amount paid for the defective product, any one of which will constitute the sole liability of seller and a full settlement of all claims. No allowance will be made for alterations or repairs made by other than those authorized by seller without the prior written consent of seller. Buyer shall afford seller prompt and reasonable opportunity to inspect the products for which any claim is made as above stated.

Except as expressly set forth above, all warranties, express, implied or statutory, including implied warranty of merchantability, are hereby disclaimed.

DAILY SET-UP CHECK LIST

⚠ WARNING

- **ALL** piping, fittings and hoses **MUST** be checked DAILY for tightness and leakage.
- **ALL** equipment and components **MUST** be thoroughly checked for wear.
- **ALL** worn or suspicious parts **MUST** be replaced.
- **ALL** blast operators **MUST** be properly trained to operate equipment.
- **ALL** blast operators **MUST** be properly outfitted with abrasive resistant clothing, safety shoes, leather gloves and ear protection.
- **BEFORE** blasting **ALWAYS** use the following check list.

1. PROPERLY MAINTAINED AIR COMPRESSOR sized to provide sufficient volume (cfm) for nozzle and other tools PLUS a 50% reserve to allow for nozzle wear. Use large compressor outlet and large air hose (4 times the nozzle orifice size). FOLLOW MANUFACTURERS MAINTENANCE INSTRUCTIONS.

2. BREATHING AIR COMPRESSOR (oil-less air pump) capable of providing Grade D Quality air located in a dust free, contaminant free area. If oil-lubricated air compressor is used to supply respirator, it should have high temperature monitor and CO monitor or both. If CO monitor is not used, air **MUST** be tested FREQUENTLY to ensure proper air quality.

3. Clean, properly maintained NIOSH-APPROVED SUPPLIED-AIR RESPIRATOR. ALL components should ALWAYS be present. NEVER operate without inner lens in place. Thoroughly inspect ALL components DAILY for cleanliness and wear. ANY substitution of parts voids NIOSH approval i.e. cape, lenses, breathing hose, breathing air supply hose, air control valve, cool air or climate control devices.

4. OSHA required BREATHING AIR FILTER for removal of moisture and particulate matter from breathing air supply. THIS DEVICE DOES NOT REMOVE OR DETECT CARBON MONOXIDE (CO). ALWAYS USE CO MONITOR ALARM.

5. ASME CODED BLAST MACHINE sized to hold 1/2 hour abrasive supply. ALWAYS ground machine to eliminate static electricity hazard. Examine pop up valve for alignment. Blast machine MUST be fitted with a screen to keep out foreign objects and a cover to prevent entry of moisture overnight.

6. AIR LINE FILTER installed AS CLOSE AS POSSIBLE to machine inlet. Sized to match inlet piping or larger air supply line. Clean filter DAILY. Drain OFTEN.

7. REMOTE CONTROLS MUST be in PERFECT operating condition. ONLY use APPROVED spare parts, including twin-line hose. DAILY: test system operation and check button bumper and spring action of lever and lever lock. DO NOT USE WELDING HOSE.

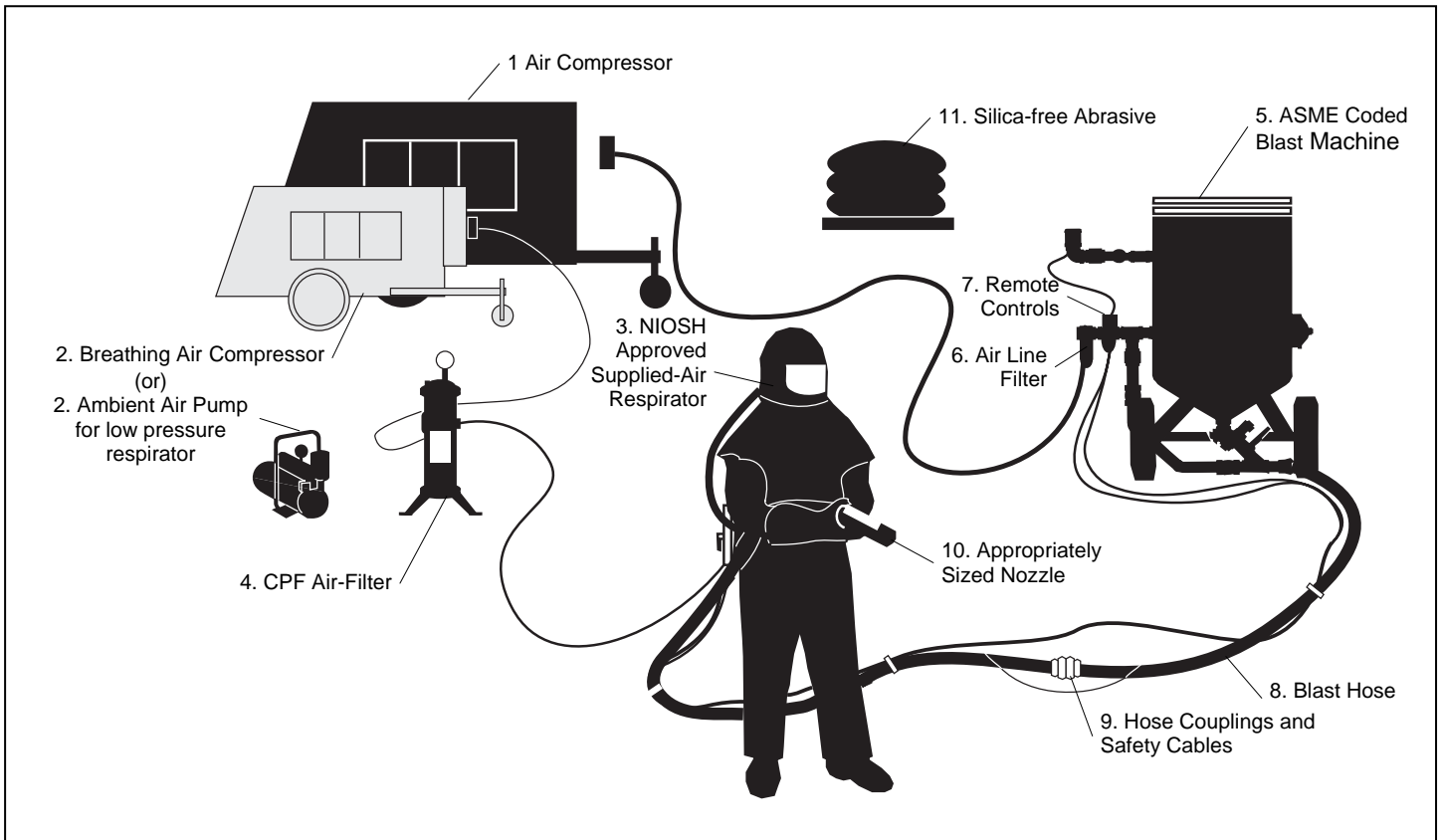
8. BLAST HOSE with ID 3 to 4 times the nozzle orifice. Lines MUST be run AS STRAIGHT AS POSSIBLE from machine to work area with NO sharp bends. Check DAILY for internal wear and external damage.

9. HOSE COUPLINGS, NOZZLE HOLDERS fitted SNUGLY to hose end and installed using PROPER coupling screws. Coupling lugs MUST be snapped FIRMLY into locking position. Gasket MUST form positive seal with safety pins inserted through pin holes. Check gaskets and replace if ANY sign of wear, softness or distortion. ALWAYS install safety cables at every connection to prevent disengagement. Check nozzle holder for worn threads. NEVER MIX DIFFERENT BRANDS OF COMPONENTS. Check each of these components DAILY.

10. Inspect NOZZLE and GASKET DAILY for wear. Replace nozzle when 1/16" larger than original size or if liner appears cracked. Check nozzle threads for wear.

11. Use abrasive that is properly sized and free of harmful substances; such as, free silica, cyanide, arsenic or lead. Check material data sheet for presence of toxic or harmful substances.

12. Test surface to be blasted for toxic substances. Take appropriate, and NIOSH required, protective measures for operator and bystanders which pertain to substances found on the surface to be blasted.



1.0 INTRODUCTION

1.1 Scope of manual


1.1.1 This manual covers setup, operation, maintenance, and replacement parts for Clemco Apollo HP (high pressure) Series Supplied-Air Respirator: Model 20 HP.

1.1.2 Read this entire manual and all accessory manuals before setting-up or using the respirator. The following Clemco manuals are available for accessories that may be used with the Apollo HP Respirator. They are available on our web site www.clemcoindustries.com. Refer to Figure 1 for a typical set-up.

| Description | Manual No. |
|--|------------|
| CAT Cool-Air Tube..... | 08956 |
| CCAC Clem-Cool Air Conditioner | 23837 |
| CCT Climate Control Tube..... | 08850 |
| CPF Inline Particulate Air Filter..... | 04143 |
| CMS-1 Carbon Monoxide Monitor | 23301 |
| CMS-2 Carbon Monoxide Monitor | 22925 |

1.2 Safety Alerts

1.2.1 Clemco uses safety alert signal words, based on ANSI Z535.4-1998, to alert the user of a potentially hazardous situation that may be encountered while operating this equipment. ANSI's definitions of the signal words are as follows:



This is the safety alert symbol. It is used to alert the user of this equipment of potential personal injury hazards.

Obey all safety messages that follow this symbol to avoid possible injury or death.

CAUTION

Caution used without the safety alert symbol indicates a potentially hazardous situation which, if not avoided, may result in property damage.

 **CAUTION**

Caution indicates a potentially hazardous situation which, if not avoided, may result in minor or moderate injury.

 **WARNING**

Warning indicates a potentially hazardous situation which, if not avoided, could result in death or serious injury.


 **DANGER**

Danger indicates an imminently hazardous situation which, if not avoided, will result in death or serious injury.


1.3 NIOSH Approval Number 19C-338

1.3.1 The Clemco Apollo Supplied-Air Respirator is approved by the National Institute of Occupational Safety and Health (NIOSH).

1.3.2 The NIOSH label shown below lists the Apollo respirator approval number. An X on the approval line indicates which components are approved for the specific respirator. Do not use any non-approved components with this respirator.



Clemco Industries Corp.
Washington MO, USA
(636) 239-0300



TYPE C AND CE CONTINUOUS FLOW SUPPLIED-AIR RESPIRATOR IS APPROVED ONLY IN THE FOLLOWING CONFIGURATIONS:

| TC# | Protection ¹ | Model Part No. | Respirator Components | | | | | | | | | | | | Cautions and Limitations ² | | | |
|---------|-------------------------|----------------|-----------------------|------------|-----------|----------------------|-----|---------------|-------------------|------------------|-----|----------------------|----------------------|-----------------------|---------------------------------------|----------------------|---------------------|-------------|
| | | | Helmets | | | Alternate Regulators | | | | Hose Air Lines | | | | | | | | |
| | | | Apollo 60 | Apollo 600 | Apollo 20 | CAT | CCT | Clem-Cool A/C | CFC/High Pressure | CFC/Low Pressure | ACV | Yellow 3/8" x 25 Ft. | Yellow 3/8" x 50 Ft. | Yellow 3/8" x 100 Ft. | | Black 1/2" x 100 Ft. | Black 1/2" x 50 Ft. | |
| 19C-338 | CF/SA | 20HP | | | | | | | | | | | | | | | | ABCDEJM NOS |
| 19C-339 | CF/SA | 20LP | | | x | | | | | | | | | | | | | ABCDEJM NOS |
| 19C-130 | CF/SA | 60/600HP | x | x | | | x | x | x | x | | | | | | | | ABCDEJM NOS |
| 19C-358 | CF/SA | 60/600LP | x | x | | | | | | | | | | | | | x | ABCDEJM NOS |

1 PROTECTION
CF - Continuous Flow SA - Supplied -air

2 CAUTIONS AND LIMITATIONS

A- Not for use in atmospheres containing less than 19.5 percent oxygen.
 B- Not for use in atmospheres immediately dangerous to life or health.
 C- Do not exceed maximum use concentrations established by regulatory standards.
 D- Air-line respirators can be used only when the respirators are supplied with respirable air meeting the requirements of CGA G-7.1 Grade D or higher quality.
 E- Use only the pressure ranges and hose lengths specified in the user's instructions.
 J- Failure to properly use and maintain this product could result in injury or death.
 M- All approved respirators shall be selected, fitted, used, and maintained in accordance with MSHA, OSHA, and other applicable regulations.
 N- Never substitute, modify, add, or omit parts. Use only exact replacement parts in the configuration as specified by the manufacturer.
 O- Refer to users instructions, and/or maintenance manuals for information on use and maintenance of these respirators.
 S-Special or critical users instructions, and/or specific use limitations apply. Refer to instruction manual before donning.

⚠ WARNING

NIOSH approval applies only when this supplied-air respirator is used as a complete system. Do not make any non-approved modification, deletion, or substitution. Non-approved components void the NIOSH approval and may permit ingress of toxic and hazardous dust, resulting in toxic poisoning and respiratory disease.

1.4 OSHA Regulations

1.4.1 OSHA Regulation 29 CFR 1910.134 for respiratory protection in General Industry is referenced throughout this document. Respiratory protection standards for Construction 29 CFR 1926.103 and for Maritime 29 CFR-1915.154, 1917, and 1918 refer back to 1910.134. The complete regulation is available through the U.S. Dept. of Labor web site at www.osha.gov.

1.4.2 OSHA Regulations 29 CFR 1910.134(a) and (c) require the employer to establish and maintain a comprehensive, written, respiratory protection program administered by a suitably-trained program administrator.

1.4.3 It is essential that the user be properly instructed in the use and maintenance of the respirator. This manual must be made available to all users of the respirator, and the users must demonstrate their understanding of its subject matter. Read the entire manual before installing or operating the equipment.

1.4.4 The respirator must be supplied with respirable air meeting requirements described herein. It is the responsibility of the employer to provide quality breathing-air to the respirator, and to establish a program to ensure that the respirator is properly used and maintained.

1.5 Respiratory and Health Alerts

⚠ WARNING

TOXIC DUST POISONING

Research by the National Institute For Occupational Safety and Health (NIOSH) has discovered risks associated with dust produced during abrasive blasting operations including but not limited to Lead, Silica, Antimony, Arsenic, Beryllium, Cadmium, Chromium, Cobalt, Nickel, Tin, Nitrate and Nitrite, to unprotected abrasive blasting operators and other personnel who may be exposed to toxic dust in the abrasive blasting vicinity. These risks include debilitating lung,

blood, liver, kidney, and skin injuries, and even death. Toxic dust is produced primarily by the breakdown of the abrasive being used and the surface being treated, during abrasive blasting.

The breakdown of toxic coatings and hazardous abrasive causes the contaminants to become airborne. Breathing toxic dust generated by the abrasive or surface being treated can cause health and life-threatening toxic poisoning and can damage vital organs. Breathing hazardous dust produced from silica and other abrasives can cause delayed life-threatening respiratory disease.

It is imperative that blasting contractors identify all material being removed by blasting, and obtain material safety data sheets (MSDS) for the blasting abrasive prior to blasting. It is the responsibility of the employer to identify all airborne contaminants in the blast vicinity, and ensure they do not exceed the permissible exposure limit (PEL) Ref. 29 CFR 1910.1000 and 29 CFR 1926.62. Thorough site hazard examinations should be made by A Certified Industrial Hygienist, Certified Safety Professional or other qualified professional to identify all contaminants generated by blasting and in the blasting vicinity.

Exposure to dangerous levels of toxic or hazardous dust is not restricted to blast operators. There may be an equal or greater danger present after the blasting process due to lingering airborne dust particles, and especially from dust generated during cleanup activity. Heavy metal paint, asbestos, sand or other silica, and other toxic material dusts will cause serious lung disease or death if not prevented through the use of properly designed, and maintained NIOSH-approved, supplied-air respirators worn by blasting operators and all personnel within the work area. OSHA's regulations found primarily in 29CFR1910, Subpart Z provides the permissible exposure limits for all toxic and hazardous substances. It is the responsibility of the employer to determine the inhalation hazards associated with the abrasive blasting being performed. Do not begin any operations including abrasive blasting without being trained by the employer and fully understanding the hazards associated with the work performed.

The Apollo supplied-air respirator system is approved by NIOSH as a Type-CE, continuous-flow, abrasive blast, supplied-air respirator, in accordance with title 42 CFR Part 84. The NIOSH recognized assigned protection factor (APF) for any supplied-air respirator equipped with a loose-fitting

hood or helmet and operated in a continuous flow mode is 25, based upon the NIOSH Respirator Decision Logic (Pub. No. 87-108). In other words, any Type-CE respirator should be used only in atmospheres in which the contaminant level does not exceed 25 times the permissible exposure limit. However, OSHA revised its existing Respiratory Protection standard in 2006 to add APFs and Maximum Use Concentration (MUC) provisions. APF means the workplace level of respiratory protection that a respirator or class of respirators is able to provide to workers. OSHA placed a table reflecting the appropriate APF for various respirators in 29CFR 1910.134(d)(3)(i)(A). OSHA also provides a free publication titled "Assigned Protection Factors" (reference number "OSHA 3352-02 2009") to assist the user and their employer in understanding the selection of respirators based on APFs and MUCs. This section of the OSHA regulations allow the employer to assign an APF of 1000 to all Apollo Series Respirators based on the simulated workplace protection factor studies Clemco has performed. These studies are available for download from Clemco's Website www.clemcoindustries.com, under the "Safety Info" tab

The employer must provide and maintain appropriate approved respirators, in addition to providing operator training and employing required work site safety practices.

To avoid any potential danger of respiratory injury, approved, supplied-air respirators must be worn at all times in the presence of any type of dust. The respirator must be maintained as described herein. Improper use of any respirator may cause life threatening respiratory disease, and immediate poisoning from toxic dust. Respirators should be removed only after the ambient air has been tested with a dust monitor, and found to be safe to breathe.

Toxic dust poisoning also may occur by eating, drinking, or smoking in a contaminated area, or by eating, drinking, or smoking in a non-hazardous area before thorough washing of hands and face. Do not eat, drink or smoke in the blast area. Thoroughly wash hands and face to remove contaminants before eating, drinking, or smoking outside the blast area.

This manual does not contain all the health and safety requirements regarding toxic and hazardous dust exposure. Obtain copies of the OSHA regulations and consult a safety professional

and/or industrial hygienist for complete requirements.

Within this manual we refer to hazardous or contaminated environments. These environments can be any places around the blast area that could contain toxic or hazardous dust.

If these warnings are not completely understood, or if further information is required, contact a local OSHA office. If any personnel in the abrasive blasting vicinity cannot read or comprehend these warnings and the entire content of this instructional material, assign a qualified person to instruct him/her.

Additional information on abrasive blasting hazards titled "Preventing Silicosis and Death From Sandblasting", Publication No. 92-102, is available from:

Publications Dissemination, DSDTT
National Institute for Occupational Safety and Health
4676 Columbia Parkway
Cincinnati, OH 45226 (513) 533-8287

1.6 Cautions and Limitations

A - Not for use in atmospheres containing less than 19.5 percent oxygen.

B - Not for use in atmospheres immediately dangerous to life or health (IDLH).

C - Do not exceed maximum use concentrations established by regulatory standards.

D - Air-line respirators can be used only when the respirators are supplied with respirable air meeting the requirements of CGA G-7.1 for Grade D or higher quality.

E - Use only the pressure ranges and hose lengths specified in the user's instructions.

J - Failure to properly use and maintain this product could result in injury or death.

M - All approved respirators shall be selected, fitted, used, and maintained in accordance with OSHA and other applicable regulations.

N - Never substitute, modify, add, or omit parts. Use only exact replacement parts in the configuration as specified by the manufacturer.

O - Refer to user's instructions, and/or maintenance manuals for information on use and maintenance of these respirators.

S - Special or critical user's instructions, and/or specific use limitations apply. Refer to instruction manual before donning.

1.7 S – Special or Critical User’s Instructions

1.7.1 Air pressure at the point of attachment (the point of attachment is where the respirator supply hose is connected to the respirable air source) must be maintained at pressures between the minimum and maximum pressure as shown in the table in Section 4.4.

WARNING

Failure to maintain the minimum pressure at the point of attachment may reduce air flow below the minimum flow required by OSHA. Reduced air flow may result in ingress of hazardous toxic dust, subjecting the user to immediate health and life threatening poisoning and subsequent respiratory disease.

1.7.2 Couple no more than the maximum number of sections and total maximum lengths of respirator hose as noted in the table in Section 4.4.

1.7.3 The respirator is designed for specific use in abrasive blasting applications. Do not use in other operations such as painting or welding.

1.8 Protection

1.8.1 NIOSH recognized Assigned Protection Factor (APF) for the Apollo type CE respirator is 25 times the permissible exposure limit (PEL). In other words, NIOSH recommends the Apollo type CE respirators should only be used in atmospheres in which the contaminant level does not exceed 25 times the PEL. However OSHA's 2006 revised Respirator Standard allows an exception for type CE respirators which have validated third party testing for use up to 1000 APF. In order not to be in violation of OSHA 1000 APF the end-user must have a copy of this validated testing. A copy of Clemco validated testing may be downloaded from the "Safety Info" tab on our website, www.clemcoindustries.com.

1.8.2 Head: The respirator protects the wearer's head and neck from impact and from abrasion caused by rebounding abrasive. However, the respirator does not meet the requirements for industrial head protection as stated in ANSI Z89.1.

1.8.3 Face and Eye: The Apollo inner lens meets impact and penetration requirements under ANSI Z87.1-1989.

1.8.4 Hearing: Noise generated by the Apollo respirator, and measured inside the helmet does not exceed 80 decibels. (42 CFR part 84.140) When any exterior noise causes the internal noise level to exceed

80 decibels, the user must wear additional hearing protection. A variety of hearing protectors can be worn with the respirator.

2.0 INSPECTION

NOTE: A Clemco respirator hose is part of the approval assembly, and must be used with the respirator. Hoses are not included with all respirators because blast operators are often assigned personal respirators, while using common respirator hoses. If a hose is not available, it must be ordered from an authorized distributor of Clemco products.

2.1 Component Checklist

2.1.1 Make sure that all the respirator components are present. Each respirator box should contain the following:

- Helmet with chin strap, padded suspension and cape attached
- Breathing tube assembly
- Alternate Web Suspension (not used with padded suspension)
- One of the following air control devices with belt:

Constant-flow connector (CFC): Provides non-adjustable volume of supplied air, within the cfm range required by OSHA.

Air control valve (ACV): Enables the user to adjust the volume of supplied air, within the cfm range required by OSHA. It is for use in areas where the air temperature is comfortable.

Clem-Cool air conditioner (CCAC): Used in warm climates to enable the user to adjust supplied air to cooler temperatures.

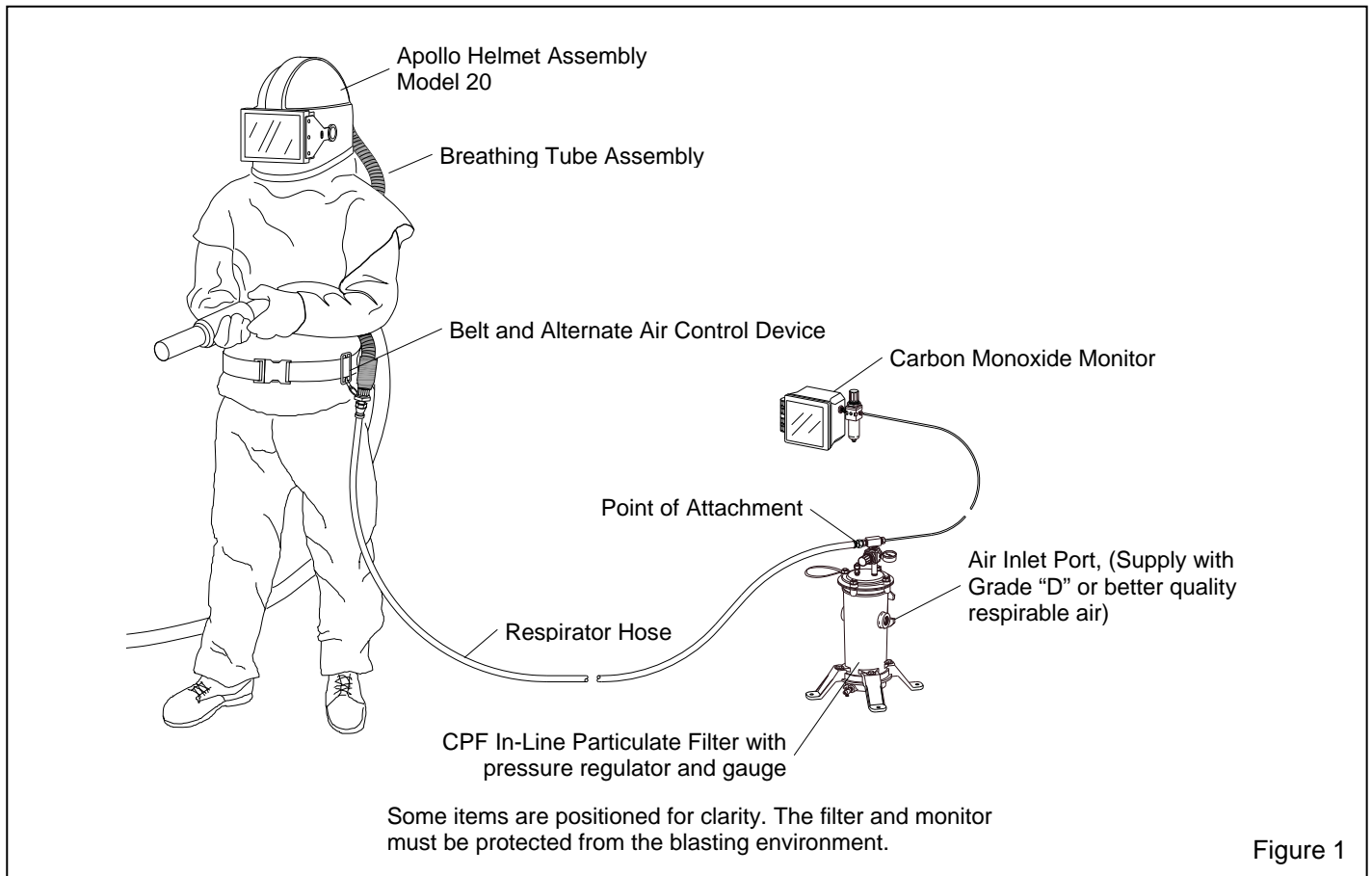
Cool-air tube (CAT): Used in warm climates to enable the user to adjust supplied air to cooler temperatures.

Climate-control tube (CCT): Enables the user to adjust supplied air to warmer or cooler temperatures.

- Quick disconnect and male adaptor, used to connect the respirator hose to the air control device.

NOTE: If the respirator does not include an approved Clemco respirator hose, and if one is not at the work site for use with the respirator, one or more alternate hoses must be ordered separately.

2.1.2 When all of these components are present, prepare the respirator for operation per Section 3.0.



3.0 PREPARATION

3.1 When using the alternate web suspension with sweatband, adjust it per Section 6.1. There is no adjustment with the padded suspension.

3.2 Prepare Lens System

⚠ WARNING

Never use the respirator without a complete lens system in place. A complete lens system includes the fixed inner lens, middle lens, perforated cover lenses, and lens gasket. The fixed, inner lens provides support for the window gasket. If the gasket is not adequately supported, leaks can occur which could permit entry of toxic and hazardous dust or abrasive into the helmet.

3.2.1 The lens system is an important part of the respirator assembly. The helmet is supplied with an inner lens that is secured by the window gasket. To protect the inner lens, a middle lens and up to three

perforated cover lenses are securely held in position by the lens gasket and frame.

3.2.2 Make sure inner lens is in place per Section 9.2.

3.2.3 When the perforated cover lenses are correctly installed, as one lens becomes frosted during blasting, it can be torn off to expose the next lens. To protect the inner lens, make sure the perforated cover lenses and middle lens are in place per Section 9.1.

3.3 Breathing Tube Assembly

⚠ CAUTION

Note the directional flow arrows on the labels at both ends of the breathing tube. The flow arrows indicate the direction of air flow to the helmet. Flow arrows must point toward the helmet. Failure to properly attach the breathing tube may damage the tube's acoustical foam, which will block air flow, or it may increase noise levels beyond OSHA limits.

3.3.1 The breathing tube has a clamped-on end and a molded-on end. Attach the clamped-on end to the threaded air inlet fitting at the back of the helmet as shown in Figure 2. Do not over-tighten; hand-tight is sufficient.

3.3.2 Attach the molded-on swivel connector to the selected air control device.

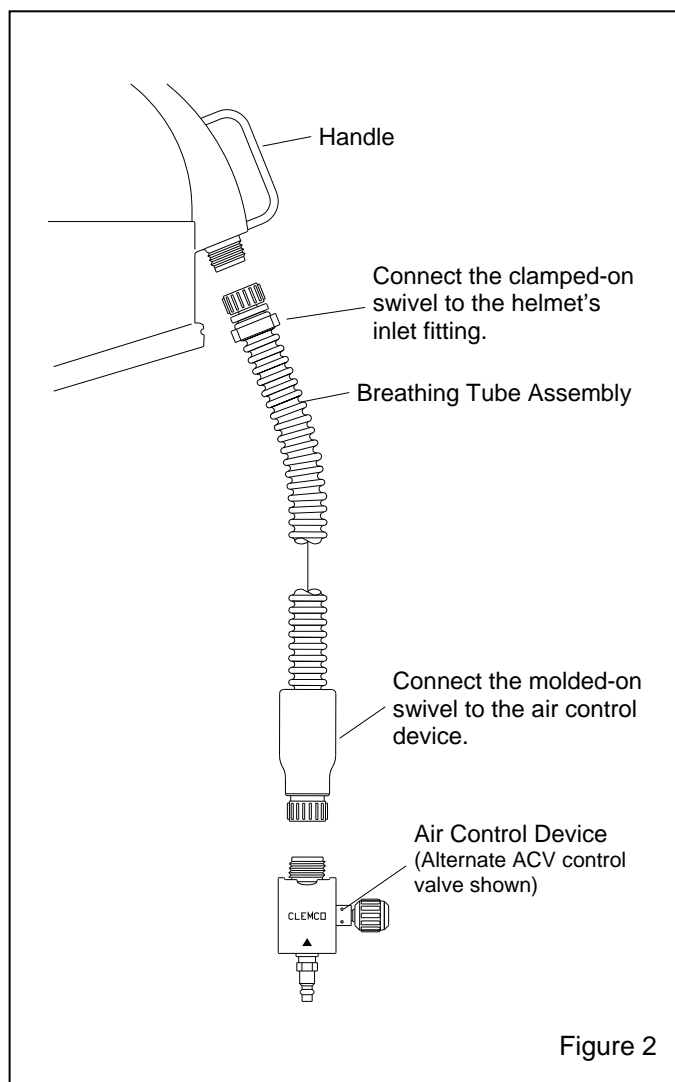


Figure 2

⚠ CAUTION

Use the handle to carry or hang the respirator. Never hold, carry or hang the respirator by the breathing tube. Mishandling the respirator in this manner may damage the tube or helmet inlet. Any leaks or breaks in the breathing tube will alter the air flow through the respirator and affect user's safety and comfort.

3.4 Respirator Hose

⚠ WARNING

OSHA regulations 29 CFR 1910 and 29 CFR 1926 require that respirator air line couplers be incompatible with air lines for non-respirable use. This incompatibility prevents inadvertent supply of respirators with potentially hazardous, non-respirable gases or oxygen. It is the employer's or facility owner's responsibility to comply with the regulation.

3.4.1 Respirator hose must be NIOSH-approved Clemco 3/8" ID respirator hose.

3.4.2 Apply Teflon tape to the 1/4" NPT threads on the 3/8" hose to 1/4" pipe adaptor as shown in Figure 3, and connect it wrench-tight to the female disconnect.

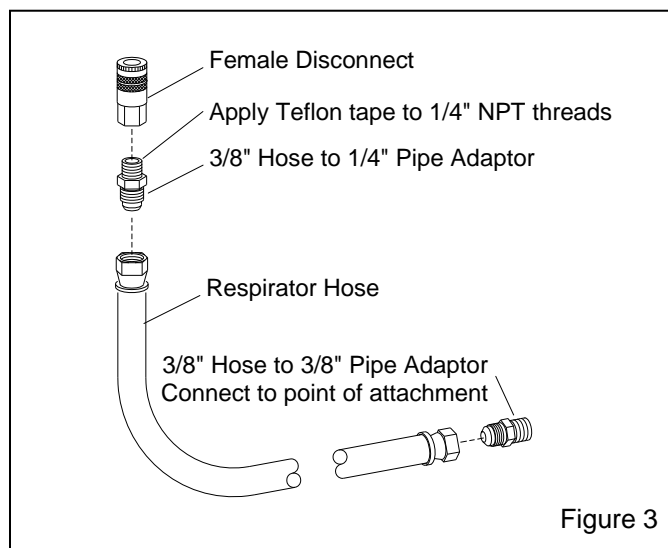


Figure 3

3.4.3 Attach the adapter/disconnect assembly to one end of the respirator hose.

3.4.4 Using the 3/8" hose to 3/8" pipe adaptor provided, connect the other end of the respirator hose to a respirable air source.

3.4.5 Connect the disconnect end of the respirator hose to the air control valve.

3.4.6 If longer hose is required, it must be a NIOSH-approved Clemco 3/8" respirator hose extension. Use any 25-foot, 50-foot and 100-foot Clemco respirator hoses in any combination as noted in the table in Section 4.4, not to exceed 300 ft. or 12 individual hose lengths.

3.5 CMS-3 CO Monitor Option, Respirator Mounted

The Clemco supplied air respirator model Apollo 20 HP is NIOSH approved with the accessory CMS-3 personal carbon monoxide alarm, but NIOSH has not evaluated the function of the CMS-3 personal carbon monoxide alarm.

3.5.1 Open the lens frame and remove the lenses per Section 9.2.

3.5.2 Don the helmet and place monitor on one of the side walls of the window extension, positioning it to make sure the alarm light is visible from inside the helmet.

3.5.3 Mark the location and remove the monitor and helmet.

3.5.4 Remove backing from the Velcro® hook tape and adhere it at the marked location (the loop tape adheres to the monitor). Attach the monitor and make sure the monitor's alarm lights are visible from inside the helmet.

3.5.5 Remove the monitor and prepare it for operation per instructions supplied with the monitor.

3.5.6 Replace the lenses and lens frame assembly.

3.5.7 After the initial setup is done, remove and reattach the monitor from inside the helmet. Remove the monitor to do any service or calibration, including turning the monitor on and off. Do this to make sure the monitor is fully functional before placing it inside the helmet.

4.0 COMPRESSED-AIR SUPPLY

 **WARNING**

Air supplied to this respirator system is critical to the safety of the user. Read this section carefully. Poor quality air or low air volume will cause serious respiratory injury or death to the user. See Toxic Dust Poisoning Warning in Section 1.5.

4.1 Air Quality

4.1.1 The quality of air supplied to the respirator is extremely critical to the safety of the user. Special care must also be taken to avoid accidental connection to any other gas lines such as, oxygen, acetylene, or nitrogen.

 **DANGER**

Never connect a breathing-air line to an air source that has not been tested for gas and particulate contamination. The presence of unacceptable levels of carbon monoxide (CO) or other gases, or oxygen deficiency in breathing air will cause death to the user.

4.1.2 The employer is responsible for ensuring that breathing air shall meet the requirements for Grade D or higher quality, as described in Compressed Gas Association Commodity Specification pamphlet G-7.1., titled Commodity Specification For Air, published by Compressed Gas Association Inc., Chantilly, VA. Website: www.cganet.com (29 CFR 1910.134 (i)).

4.1.3 Limiting characteristics of Grade D air, at the time of publication of this manual are as follows:
Carbon Dioxide maximum of 1000 ppm
Carbon Monoxide maximum of 10 ppm
Odor *No pronounced odor
Oil (hydrocarbons)maximum of 5 mg/m³
Oxygenbetween 19.5 - 23.5%

* Specific measurement of odor in gaseous air is impractical. Air may have a slight odor but the presence of a pronounced odor renders the air unsatisfactory.

4.1.4 Prior to using the respirator, read the owner's manual and all instructions, labels, and warnings relating to the compressed air source. Take special care to abide by all warnings from the compressor manufacturer regarding compressor use, and from the cylinder and air supplier, for breathing air cylinders and their use.

4.1.5 A Clemco CPF filter may be installed and if regularly maintained will remove objectionable odors, as well as oil mist, water, pipe scale, and other particulate matter.

4.2 Breathing-Air From Cylinders

4.2.1 Using cylinders (high pressure air bottles) requires special knowledge of their use and compliance with OSHA Regulations. Refer to 29 CFR 1910.134(h) and (i) and 49 CFR part 173, and part 178.

 **DANGER**

Operators must never use or operate breathing air cylinders, without proper pressure reducing devices, and training on their use. Breathing cylinders are under extremely high air pressure. Improper use could cause cylinders or accessories to rupture, resulting in severe injury or death.

4.2.2 The employer shall ensure that cylinders used to supply breathing air to respirators meet all requirements which may include, but are not limited to, their testing and maintenance, certificate of analysis for air quality, and moisture.

4.2.3 Cylinders must be equipped with a properly maintained pressure reducing valve that reduces pressure to the approved pressure range of the respirator. See 4.4.

4.3 Breathing-Air from Compressors

4.3.1 The employer shall ensure that air from compressors used to supply breathing air to respirators meets the requirements in 29 CFR 1910.134.(i)(5).

4.3.2 Precautions must be taken to prevent contaminants from entering through the compressor intake: Ref. 29 CFR 1910.134.(i)(5)(i). The compressor inlet must be located away from all sources of toxic contaminants including carbon monoxide, which is found in engine exhaust (including the exhaust from the compressor's engine), and in any form of combustion. No vehicles should be allowed near the compressor intake. Contaminants can enter respiratory equipment through the compressor air inlet. This inlet must not be located near any exhaust system outlet, ventilation flue, or source of fumes or particles of any kind.

4.3.3 The compressed-air supply system must be equipped with suitable in-line air-purifying sorbent beds and filters, and be maintained to further ensure breathing air quality: 29 CFR 1910.134 (iii).

4.3.4 If the breathing-air supply is from a non-oil-lubricated compressor, the employer shall ensure that the carbon monoxide levels in the breathing air do not exceed 10 ppm: 29 CFR 1910.134 (i)(6).

4.3.5 If an oil-lubricated compressor is used, the employer shall use a high-temperature alarm or carbon monoxide (CO) alarm, or both, to monitor carbon monoxide levels. If only high-temperature alarms are used, the air supply shall be monitored at intervals sufficient to prevent carbon monoxide in the breathing air from exceeding 10 ppm: 29 CFR 1910.134 (i)(7).

S – Special or Critical User’s Instructions

4.4 Air Volume and Pressure

4.4.1 Operating Pressure

4.4.1.1 HP respirators operate within the pressure range of 65 and 100 psi (pounds per square inch), as

shown in the table in this section. Maintaining the correct operating pressure at the point of attachment ensures the correct air flow to the respirator.

4.4.1.2 The Clemco CPF Inline Particulate Filter with regulator meets this requirement for a regulator and gauge, provided the inlet pressure does not exceed 150 psi. See typical installation, Figure 1.



Do not connect the Apollo Respirator or CPF Filter, or any other regulator or filter, to bottled air that does not have a pressure reducing valve that reduces pressure to the maximum operating pressure of the respirator or filter it services. Failure to comply with this warning will cause devices rated at lower pressures to explode under the high pressure of bottled air, and cause severe injury or death.

4.4.1.3 Use the following table to determine the minimum pressure settings and maximum respirator hose length, based on the air control device as shown in Section 2.1.1. Adjust the pressure with the respirator hose and respirator attached. If the regulator is adjusted with static pressure (no air flow), pressure may drop below the required pressure when the respirator is connected, and may result in low air flow. Setting the pressure as instructed will provide a minimum of 7 cfm to the respirator.

| Hose Length | Minimum Pressure Setting, psi | | | | |
|-------------|-------------------------------|-----|------|-----|-----|
| | CFC | ACV | CCAC | CAT | CCT |
| 25 ft. | 65 | 85 | 90 | 90 | 90 |
| 50 ft. | 65 | 85 | 90 | 90 | 90 |
| 75 ft. | 65 | 85 | 90 | 90 | 90 |
| 100 ft. | 65 | 85 | 95 | 95 | 95 |
| 125 ft. | 70 | 90 | 95 | 95 | 95 |
| 150 ft. | 70 | 90 | 95 | 95 | 95 |
| 175 ft. | 70 | 90 | 95 | 95 | 95 |
| 200 ft. | 70 | 90 | 95 | 95 | 95 |
| 225 ft. | 75 | 95 | * | * | * |
| 250 ft. | 75 | 95 | * | * | * |
| 275 ft. | 75 | 95 | * | * | * |
| 300 ft. | 75 | 95 | * | * | * |

NOTE: Use any combination of hose shown to provide a maximum of 300 ft., but not to exceed 12 individual hose lengths.

* Do not use these control devices at distances greater than 200 ft.

4.4.2 Air Volume

4.4.2.1 When using a CFC constant-flow connector or ACV air valve, the respirator must be supplied with 15 cfm (cubic feet per minute) of Grade D breathing air at 65 to 100 psi. When using an alternate temperature control device, the respirator must be supplied with 20 cfm of Grade D breathing air at 90 to 100 psi.

WARNING

The compressor must provide adequate output and the plumbing between the compressor and the point of attaching the respirator hose must have sufficient capacity to supply the volume of air at the pressure required. Restricted air flow will cause discomfort to the user, and may result in ingress of hazardous and toxic dust, subjecting the user to health and life threatening toxic poisoning and long term respiratory disease and death.

4.4.3 Pressure Conversion Kit

4.4.3.1 This optional accessory kit contains parts and instructions to convert an Apollo 20 respirator from high pressure (65 to 100 psi) to low pressure (6 to 20 psi). The kit is listed in Section 10.3.

5.0 OPERATION

WARNING

Except for emergency evacuation when the use of the respirator hinders escape, keep the respirator on and leave the respirator-use area immediately if any of the following occur:

- Any part of the respirator system becomes damaged
 - Any air monitoring alarm is activated
 - Air flow into the respirator is reduced or stops
 - Breathing becomes difficult
 - At the first sign of dizziness, nausea, fever, illness or injury
 - Any contamination is noted by taste, smell or vision inside the respirator
 - Vision becomes impaired
 - Any irritation is noted
-

5.1 Prior to use, thoroughly inspect and clean the helmet, breathing tube, respirator hose, air entry ports, and fittings of all dust and debris. Inspect the helmet suspension and if necessary replace it per Section 9.6.

5.2 Start the compressor and open the service valve to pressurize the air supply line.

5.3 Check air pressure at the point of attachment. Set the pressure within the minimum pressure assigned in Section 4.4 and the maximum of 100 psi. Pressure must be set with the respirator connected.

5.4 Inspect all safety and breathing equipment used in conjunction with the respirator as recommended by the manufacturer.

5.5 Inspect respirator hoses and connections for tightness and leaks.

5.6 Don the respirator in a clean non-hazardous environment, free of contaminants, where the air is safe to breathe.

5.7 When donning and removing the respirator, keep it upright to prevent dust and abrasive from falling inside. Holding the chin strap while donning the helmet will make it easier to position it once the helmet is on.

5.8 Position the chin strap so it fits comfortably under the chin.

5.9 Position the knit cuff on the inner collar so that it fits snugly around the neck in turtleneck fashion and without any interference from clothing or long hair. When correctly positioned, the smaller elastic end of the collar must face up.

WARNING

Correct placement of the inner collar is critical for providing the protection for which the respirator is designed. The collar must be positioned and maintained without any interference from items such as hair, facial hair, or shirt collars, between the inner collar and user's neck.

5.10 Pull the cape down to fully extend it and connect the four elastic straps (two on each side) under the arms, and tighten using the slides provided.

5.11 Put on the belt and control valve over the cape. Buckle the belt around the waist, and tighten it by pulling the belt end through the buckle insert.

5.12 When finished blasting, and after cleanup is completed, remove the respirator outside the respirator-use area and where the air is safe to breathe.

! WARNING

Do not don the respirator, or store it in a blast contaminated environment. Do not remove the respirator in a contaminated environment except for emergency evacuation when the use of the respirator hinders escape.

6.0 ADJUSTMENTS

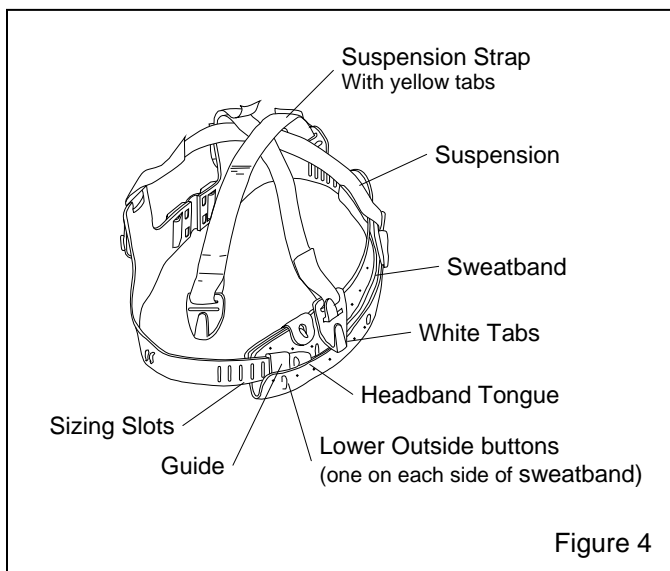
6.1 Alternate Web Suspension with Sweatband

! WARNING

The suspension maintains a fixed distance between the head and the helmet. It is critical that the suspension is properly installed, and adjusted as described, to provide maximum head protection and comfort.

6.1.1 Remove cape from the helmet per Section 9.5.

6.1.2 Unfasten the vinyl sweatband from the two lower, outside buttons, ref. Figure 4. It is not necessary to remove the suspension to make adjustments.



6.1.3 The suspension fits head sizes 6.5 to 8. Head sizes are marked on the headband slots. Slide the headband tongue in or out of the guide to attain the

desired head size. It is important that the adjustment be made evenly on both sides. Press the selected slots firmly onto the fastening lugs on the front band.

6.1.4 Refasten the vinyl sweatband onto the suspension buttons.

6.1.5 Try on the helmet for fit and readjust if necessary.

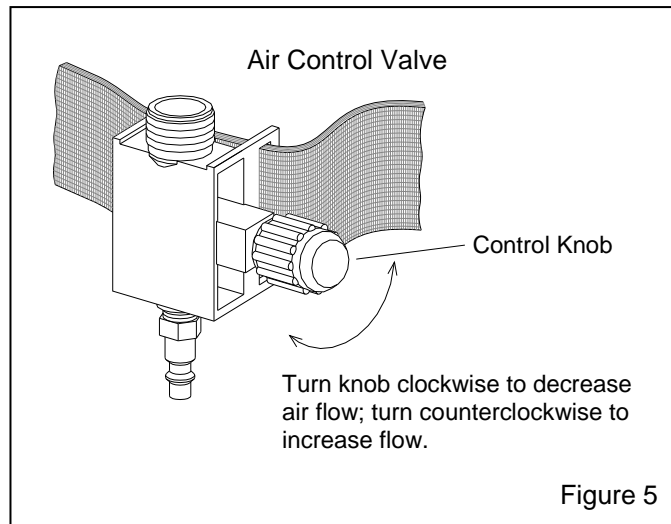
6.1.6 Reattach the cape to the helmet by following the instructions in Section 9.5.

6.2 Air Control Valve, alternate, Figure 5

Refer to the manuals listed in Section 1.1.2 for other alternate air devices.

6.2.1 Clemco's ACV air control valve allows the user to increase or decrease the volume of breathing-air while wearing the supplied-air respirator. The valve provides a range of 7 to 10 cfm of breathing-air when the respirator is supplied with respirable air as noted in Section 4.4.

6.2.2 To regulate the air flow, turn the control knob "clockwise" to decrease air flow, or "counterclockwise" to increase air flow. NOTE If the knob is turned fully clockwise to minimum flow, turning the knob one full turn counterclockwise increases the flow to maximum. Turning the knob more than one revolution counterclockwise will not increase air flow.



7.0 MAINTENANCE PROGRAM

7.1 Basic Service

7.1.1 A program for maintenance and care of the respirator must be established based on application, working conditions, and hazards involved, and include the following basic service.

- Inspection for defects (including a leak check)
- Cleaning and disinfecting
- Repair (service maintenance)
- Storage

Equipment must be properly maintained to retain its original effectiveness. Reference OSHA Regulation 29 CFR 1910.134 (h).

7.2 Inspection

Inspection must be done in compliance with OSHA Regulation 29 CFR 1910.134 (h)(3).

7.2.1 Inspect respirator before and after each use, and during cleaning. Inspection shall include a check for tightness of connections and the condition of the lenses, suspension, cape and elastic parts, breathing tube, respirator hoses and connectors, constant-flow connector, alternate air control valve or temperature control valve.

7.2.2 Inspect the respirator hoses, breathing tube, air entry ports, and fittings for dust contamination; make sure they are clean before making connections.

7.2.3 The helmet suspension is very important for maintaining maximum head and respiratory protection. It must be inspected for fit and wear on a daily basis, and replaced immediately at the first sign of wear. Refer to Section 9.6 for suspension replacement.

NOTE: Refer to Section 6.1 for adjustment of the alternate web suspension with sweatband.

7.2.4 The inner collar is very important for controlling air escape from the helmet and preventing ingress of dust. The elastic collar should fit snugly around the user's neck. Replace the cape when the collar no longer fits snugly around the neck.

7.2.5 The outer cape provides protection from rebounding abrasive and from abrasive ingress into the helmet. Inspect the outer cape frequently for wear. Replace the cape before holes appear, or any wear occurs that prevents the cape from providing the protection for which it is intended.

7.3 Cleaning and Disinfecting

Cleaning and disinfecting must be done in compliance with OSHA Regulation 29 CFR 1910.134 (h)(1). Refer to Section 8.0 for cleaning instructions.

7.3.1 A respirator issued for the exclusive use of an employee shall be cleaned and disinfected as often as necessary to be maintained in a sanitary condition.

7.3.2 Shared respirators must be cleaned and disinfected before being worn by different individuals.

7.4 Repairs (Service Maintenance)

Repairs must be done in compliance with OSHA Regulation 29 CFR 1910.134 (h)(4).

7.4.1 The employer shall ensure that respirators that fail an inspection or are otherwise found to be defective are removed from service, adjusted, repaired or discarded in accordance with the following procedures:

7.4.2 Adjustments and repairs must be made only by appropriately-trained persons, and only with genuine Clemco NIOSH-approved parts designed for the respirator. No attempt shall be made to substitute components or to make adjustment or repairs beyond the manufacturer's recommendations. Refer to Section 9.0 for service instructions.

7.5 Storage

Storage of the respirator must be done in compliance with OSHA Regulation 29 CFR 1910.134 (h)(2).

7.5.1 Daily Storage

7.5.1.1 When the respirator is not in use, it must be stored in a clean, dry area. Hang the respirator by the handle. Do not tuck the cape inside the helmet. Let the cape hang loose to allow air to circulate, and condensation on the cape and inside the helmet to dry.

7.5.2 Long-term Storage

7.5.2.1 After inspection, cleaning, and thorough drying, and after necessary repairs are made, the cape should be tucked inside the helmet. The respirator shall be placed in a plastic bag and the bag sealed to keep out dust and moisture. Place the bag in a clearly-marked carton and store it in a clean, dry place.

8.0 CLEANING AND DISINFECTING

NOTE: Unless otherwise stated all cleaning and disinfecting should be done in accordance to OSHA Regulation 29 CFR-134 App. B-2.

CAUTION

Follow washing instructions as described in this section. Do not use any caustic chemicals or solvents that may be irritating or harmful to the user, or which change the properties of the materials used in any part of the respirator.

8.1 Outer Cape

8.1.1 Refer to Section 9.5 for removal and installation instructions.

8.1.2 Machine wash in warm water with mild detergent. Dry in a clothes dryer at the lowest temperature setting. Do not dry clean.

8.2 Suspensions and Chin Strap

8.2.1 Standard Padded Suspension

8.2.1.1 Refer to Section 9.6.1 for removing and replacing padded suspension.

8.2.1.2 Wash the suspension pads, suspension web, and chin strap with warm water and mild detergent. Rinse with clean, warm water.

8.2.1.3 Squeeze pads to remove excess water. Wrap pads in a towel and squeeze to remove additional water. All items may be air-dried or tumble-dried at the lowest possible setting.

8.2.2 Web Suspension with Sweatband (alternate)

8.2.2.1 Refer to Section 9.6.2 to remove and replace the suspension. Wash the sweatband, suspension, and chin strap, using warm water and mild detergent. Rinse with clean water. Remove excess water with a towel and allow to air-dry.

8.3 Helmet Assembly

8.3.1 The helmet assembly should be wiped clean with a cloth dampened with water and mild detergent. If the helmet must be immersed in water, remove the breathing tube, cape, suspension and all other

removable items before immersing. While this will not permanently damage the helmet, it will require an extended drying period.

8.3.2 Care must be taken to prevent abrasive entry when donning and removing the respirator and when changing lenses. Vacuum the inside of the helmet to remove any abrasive.

8.4 Disinfecting

8.4.1 Washing the respirator as instructed also disinfects it. Additional disinfecting may be done before and/or after use by wiping the surfaces with a commercial disinfecting wipe or spray.

9.0 SERVICE MAINTENANCE

CAUTION

To prevent recontamination of the respirator, clean the respirator of dust and abrasive before maintenance. All maintenance must be done in a clean environment away from dust and abrasive, and outside the respirator use area.

9.1 Replacing Outer and Middle Lenses

Preparing lenses in the following manner will permit the cover lenses to be torn off while blasting to expose a fresh lens as needed, while preserving the innermost perforated lens to protect the middle lens.

9.1.1 Unlatch and open the lens frame, and remove remnants of old lenses. The middle lens may be reused if it is in good condition.

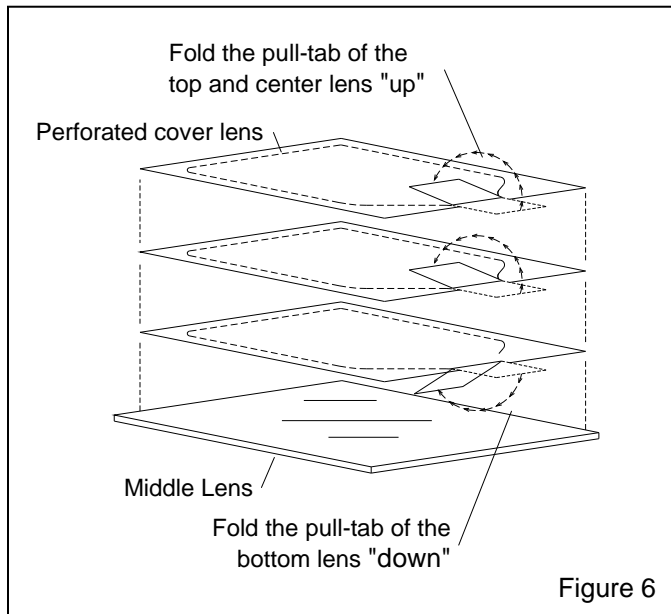
9.1.2 Inspect the lens frame gasket; replace if worn or damaged.

9.1.3 Inspect the window gasket and inner lens. If necessary, replace per Section 9.2.

9.1.4 Up to three cover lenses may be installed at one time. For maximum visibility, install only enough lenses to last during a work period.

9.1.5 Preparing lenses in the following manner will permit lenses to be pulled off easily by a user wearing heavy gloves.

9.1.6 Place the middle lens on a clean flat surface. Place up to three cover lenses on top of it.



9.1.7 Fold the pull-tab of the bottom lens down as shown in Figure 6.

9.1.8 Fold the pull-tab of the center, and top lens up.

9.1.9 Place the stack of prepared lenses into the lens frame so the pull-tab of the top lens sticks through the front of the lens opening. When placed correctly, the perforated lenses will be against the frame, and the middle lens will be behind them offering additional support.

9.1.10 Installing the lenses in this manner will prevent unintentional removal of the last perforated lens and prolong the life of the middle and inner lenses. It will be easier to remove the cover lens while wearing heavy gloves, if the tab is bent outward slightly.

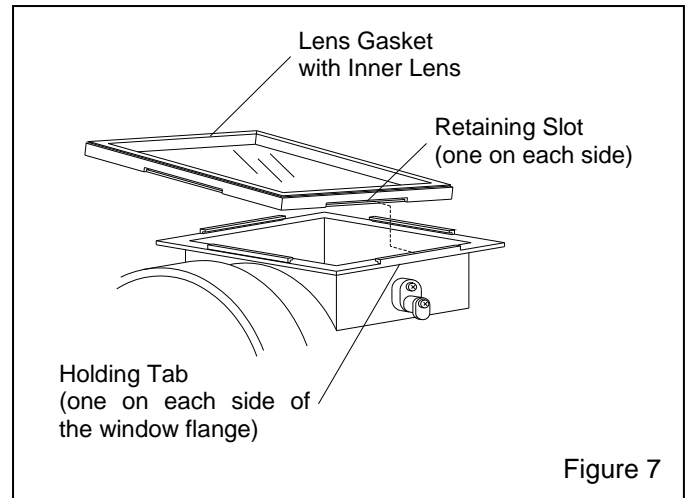
9.2 Removing and Replacing the Inner Lens and Window Gasket

9.2.1 Open the lens frame and remove the middle lens and cover lenses.

9.2.2 Pull the lens gasket and inner lens off the window opening flange. The gasket is held in place by tabs on the flange that fit into slots on the gaskets as shown in Figure 7.

9.2.3 Remove old lens from the gasket lens channel.

9.2.4 Clean or replace the gasket as needed.



9.2.5 Place a new lens into the channel. The lens must be in place before affixing the gasket to the window flange.

9.2.6 Slide one end of the gasket (with lens) onto the window opening flange, so the holding tab on the opening is inserted into the gasket retaining slot.

9.2.7 Push the gasket against the flange. Working from inside the helmet, push the gasket toward the tab, until the tab is fully inserted into the retaining slot.

9.2.8 Repeat the process on the opposite side. The gasket must be pushed beyond the holding tab in order to insert it into the slot.

9.2.9 Repeat the process on the top and bottom to lock the gasket in place.

9.2.10 Place perforated cover lenses and one middle lens in the lens frame per Section 9.1 before closing the frame.

9.2.11 To maximize the wear life of the inner and middle lenses, do not remove the last perforated cover lens (See Section 9.1). The respirator must never be used without the inner and middle lenses in place.

9.3 Removing and Replacing the Lens Frame

9.3.1 The lens frame must be replaced at the first sign of wear, or of cracking around the hinge.

9.3.2 Open the lens frame, and remove the perforated cover lenses and middle lens.

9.3.3 Remove the two hinge screws, and replace the frame.

9.3.4 Install a new frame gasket before installing new lenses.

9.4 Rubber Window Frame Latch

9.4.1 Pull the old latch off of the three buttons.

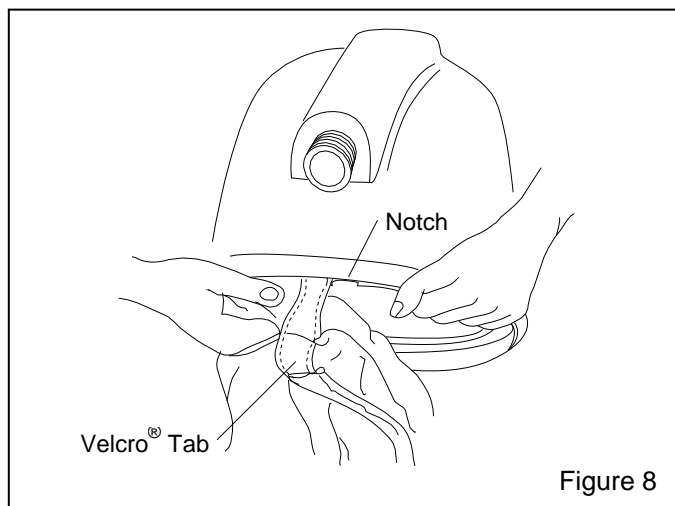
9.4.2 Place the flat side of the latch against the frame and align the holes in the new latch over the buttons.

9.4.3 Push the latch over each button, making sure the rubber is fastened under the button.

9.5 Removing and Replacing the Cape

9.5.1 When the cape becomes soiled or requires replacement, it can easily be removed as follows.

9.5.2 Separate the Velcro® tabs on the back of the cape. Refer to Figure 8.



9.5.3 Slide the ends of the cape to the notch. Continue sliding one end of the cape out of the groove until the entire cape is detached from the helmet.

9.5.4 To install the cape, separate the Velcro® tabs on the cape and slide one end into the groove on the bottom edge of the cape attachment strap at the point where the groove is notched. Continue sliding the cape around the bottom of the helmet until the entire cape is completely into the groove. NOTE: Spraying a non-toxic silicone-base lubricant into the groove will reduce friction and ease assembly.

9.5.5 Join the Velcro® tabs at the notch.

9.6 Removing and Replacing Suspensions

9.6.1 Padded Suspension, Standard

9.6.1.1 All pads are held in place with strips of adhesive backed, hook and loop fastener material (the green side of the pad is Velcro® receptive, the black side is not). Remove the side and middle pads by pulling them free of the hook-fastener strip.

9.6.1.2 Remove the suspension web, by extracting the plastic tabs from the mounting slots in the helmet shell. While holding the top pad in place, pull the webbing to separate it from the top pad.

9.6.1.3 To remove the top pad, hold the air baffle partition (Figure 9, item 24) in place, and pull the pad to separate it from the partition.

9.6.1.4 Inspect the chin strap, and if necessary replace it before installing the suspension.

9.6.1.5 Make sure the air baffle partition is correctly located, before installing the top pad. Align the pad while pressing it into place against the fastener strip.

9.6.1.6 Place the suspension web under the chin strap and then secure the suspension by inserting the plastic tabs into their respective mounts; the yellow tabs go on the side mounts.

9.6.1.7 Align the middle pad so the elastic cord is toward the back and the center of the pad is centered to the suspension web. Press the pad to engage the fastener strip, minor repositioning may be needed to fully seat the pad.

9.6.1.8 Place the Velcro® receptive green side of the side pad against the helmet shell, Attach it by pressing it onto the fastener strips. The black side faces the operator's head.

9.6.1.9 Reattach the cape to the helmet by following the instructions in Section 9.5.

9.6.2 Web Suspension with Sweatband, Alternate

9.6.2.1 Remove cape from the helmet per Section 9.5.

9.6.2.2 Remove and discard the old suspension and suspension strap by extracting the plastic tabs from the wedge-shaped clefts in the shell.

9.6.2.3 Unfasten the vinyl sweatband from the two lower, outside buttons, ref. Figure 4.

9.6.2.4 The suspension fits head sizes 6.5 to 8. Head sizes are marked on the headband slots. Slide the headband tongue in or out of the guide, to attain the desired head size. It is important that the adjustment be made evenly on both sides. Press the selected slots firmly onto the fastening lugs on the front band.

9.6.2.5 Refasten the vinyl sweatband onto the suspension buttons.

9.6.2.6 Install the suspension strap before installing the suspension. Insert the yellow end tabs into the clefts on the helmet shell. When correctly installed, the strap is between the suspension and helmet shell and above the ears.

9.6.2.7 Install the suspension by inserting the four white plastic tabs into the clefts on the shell. The tabs must fully seat in their respective clefts.

9.6.2.8 Try on the helmet for fit and readjust if necessary. It is not necessary to remove the suspension to make adjustments.

9.6.2.9 Make sure the chin strap is in place, then reattach the cape to the helmet by following the instructions in Section 9.5.

9.7 Chin Strap

9.7.1 Replace the chin strap when worn or when it loses its elasticity.

9.8 Removing and Replacing the Air Baffle Partition

9.8.1 Remove the cape and suspension per Sections 9.5 and 9.6.

9.8.2 Pull the partition from the front to unsnap it from the retainers. Remove the back end of the partition from the tabs.

9.8.3 Place a new partition into the hood; insert the slots on the back end of the partition behind the tabs.

9.8.4 While applying pressure on the front of the partition, work from the back toward the front and snap it into place.

9.8.5 Replace the suspension and cape.

10.0 REPLACEMENT PARTS

 WARNING

Use of any non-Clemco replacements parts may permit ingress of hazardous contaminants, and may cause injury, disease, or death to the user. OSHA Regulation 29 CFR 1910.134(H)(4)(i) requires the use of the respirator manufacturer's NIOSH-approved parts designated for the respirator. Using any parts listed in this section made by any manufacturer other than Clemco voids the NIOSH approval, and voids Clemco's warranty.

10.1 Apollo 20 HP Supplied-Air Respirator Systems with DLX Padded Suspension. Less respirator hose, with:

| Description | Stock No. |
|--------------------------------------|-----------|
| CFC constant-flow connector | 20975 |
| ACV air control valve | 21419 |
| CCAC Clem-Cool air conditioner | 21420 |
| CCT climate control tube | 21421 |

10.2 Alternate Air Control Devices with Belt

| Description | Stock No. |
|--------------------------------------|-----------|
| CFC constant-flow connector | 21422 |
| ACV air control valve | 100024 |
| CCAC Clem-Cool Air conditioner | 23825 |
| CAT cool-air tube | 04410 |
| CCT climate control tube | 04411 |

10.3 Accessories

| Description | Stock No. |
|---|-----------|
| Hearing protection muffs, Low profile noise reduction muffs for use with web suspension w/sweatband only. May not work with all head sizes | 23886 |
| Do-rag, washable head scarf | 23814 |
| Pressure conversion kit, HP to LP Converts Apollo 20 HP, high pressure (Grade "D" Compressed Air) respirator to LP low pressure (ambient air) respirator | 22680 |
| DLX padded suspension kit Includes everything needed to replace padded suspension, or to convert from web suspension to DLX padded suspension | 25215 |
| CMS-3 CO monitor package | 24612 |

10.4 Respirator Replacement Parts, Figure 9

| Item | Description | Stock No. |
|------|---|-----------|
| 1. | Constant-flow connector, HP, (alternate), does not include belt | 21415 |
| 2. | Belt, 2" web with buckle | 04430 |
| 3. | Respirator hose, 3/8" x 25 ft. (alternate), includes items 6 and 7 | 04397 |
| 4. | Respirator hose, 3/8" X 50 ft. (alternate), includes Items 6 and 7 | 04415 |
| 5. | Respirator hose, 3/8" x 100 ft. (alternate), includes items 6 and 7 | 04398 |
| 6. | Adaptor, 3/8" hose to 3/8" pipe | 00022 |
| 7. | Union, 3/8" hose to 3/8" hose | 01020 |
| 8. | Disconnect, 1/4" female | 00025 |
| 9. | Adaptor, 3/8" hose to 1/4" pipe | 01019 |
| 10. | Gasket, molded window | 99996 |
| 11. | Inner lens, 4-5/8" x 6-5/8" nom., .125" package of 5 | 21409 |
| 12. | Middle lens, 5" x 7" nom., .094" package of 5 | 21410 |
| 13. | Cover lens, perforated, .0075" package of 25 | 21411 |
| 14. | Gasket, lens frame | 21041 |

| | | |
|-----|---|-------|
| 15. | Lens frame | 20976 |
| 16. | O-Ring, 7/8" OD, 2 required | 22815 |
| 17. | Chin Strap | 04460 |
| 18. | Chin strap holder, 2 required | 21696 |
| 19. | Screw, 8-32 x 1/2" ph hd, 2 required | 21119 |
| 20. | Latch, lens frame, rubber | 21298 |
| 21. | Cape attachment strap | 10534 |
| 22. | Cape with inner collar | 21301 |
| 23. | Breathing tube assembly includes two of item 16 | 22811 |
| 24. | Partition, air baffle | 21118 |
| 25. | Button, latch | 21040 |
| 26. | Nut, lens frame | 90041 |
| 27. | Screw, lens frame | 90295 |
| 28. | Screw, 8-32 x 1/2" sm | 21402 |
| 29. | Screw, 8-32 x 1" sm | 21403 |
| 30. | DLX padded suspension kit includes items 31 thru 35 | 25215 |
| 31. | Pad, top | 25216 |
| 32. | Suspension web | 25219 |
| 33. | Pad, middle | 25182 |
| 34. | Pad, side | 25218 |
| 35. | Hook-fastener tape, adhesive backed, 1-inch x 2-feet long | 24655 |
| 36. | Web suspension w/sweatband (alternate) | 10532 |

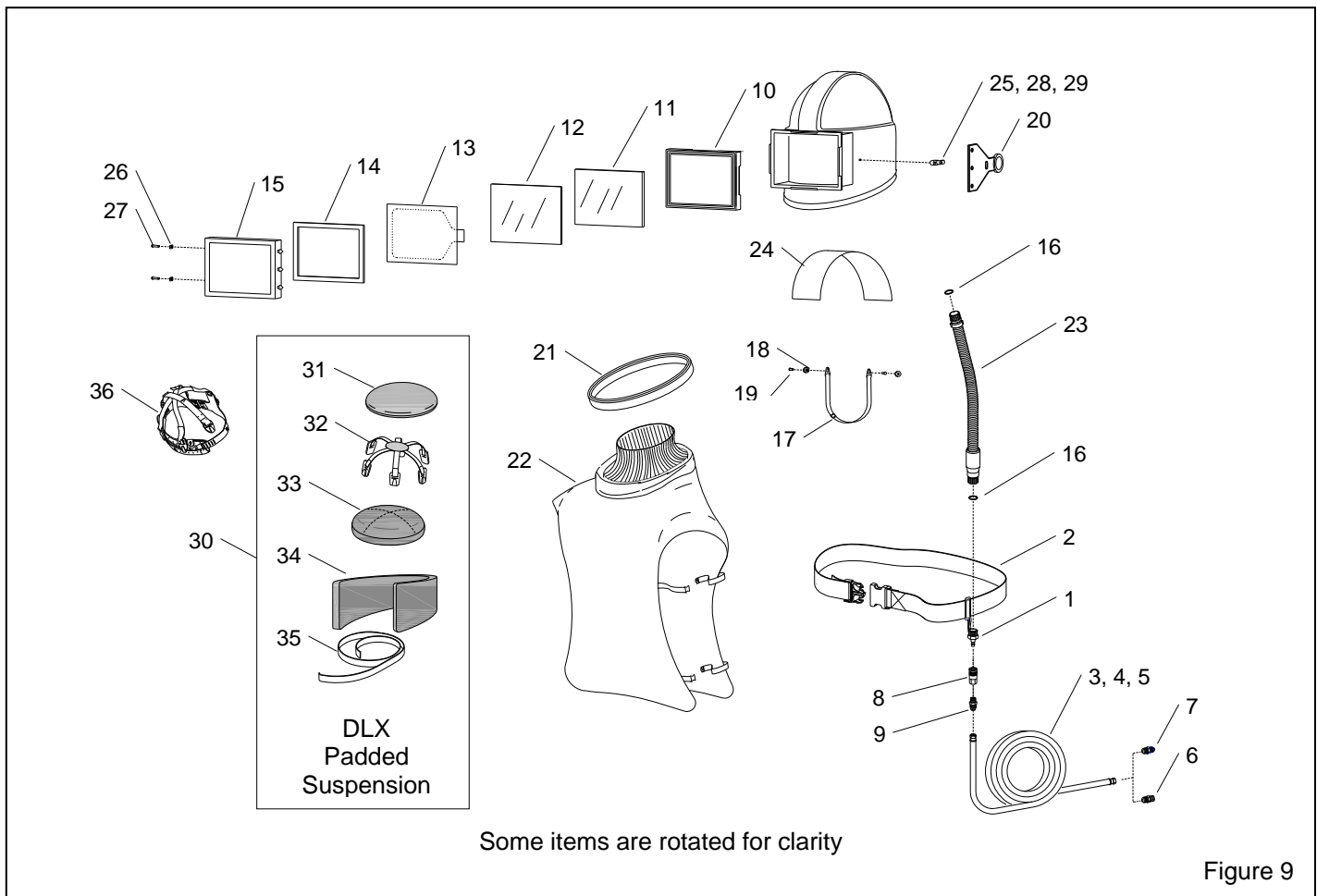


Figure 9